

Wox / Wox S

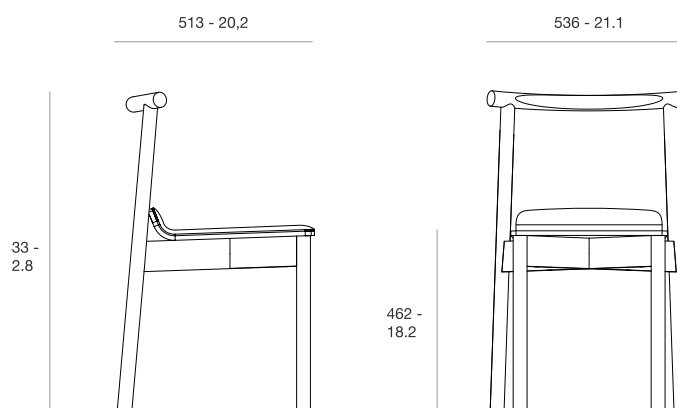
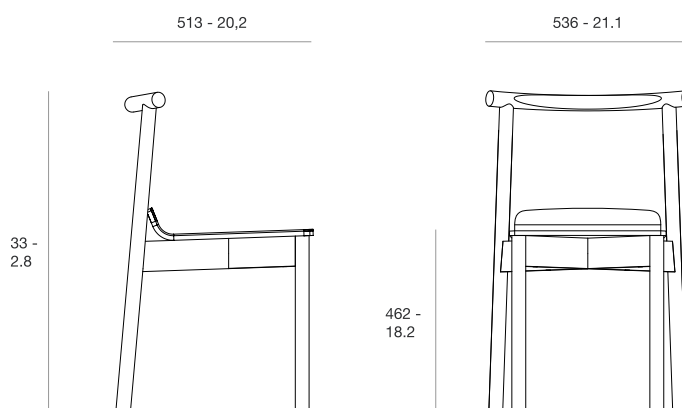
Dining chair made from solid ashwood with plywood seating.



Wox

sizes, mm - in

Wox S



Name	Wox	Wox S
Designer	Pavel Vetrov	Pavel Vetrov
Type of product	chair	chair
Weight netto, kg	5.9	5.9
Type of package	box	box
Box dimentions, mm - in	550x600x1000 - 21,7x23,6x39,4	550x600x1000 - 21,7x23,6x39,4
Pcs in the box	2	2
Stackable	4	4
Volume, m ³ - in ³	0,33 - 20128,82	0,33 - 20128,82
Fabric consumption, lm - lin	-	0,6 - 23,62

Materials	
Backrest	wood
Seat	plywood; plywood, upholstery
Frame	wood
Wood	ash
Finishes	↔ finishes
Fabric	↔ fabrics

Company certifications

PN-EN ISO 14001:2015-10
PN-EN ISO 9001:2015-10

