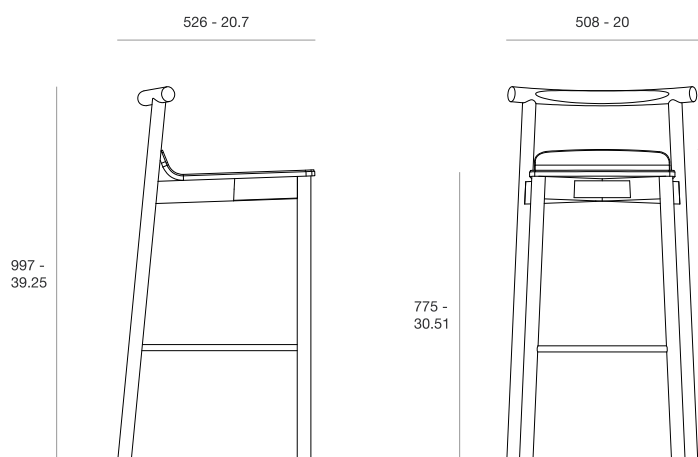


## Wox bar / Wox bar S

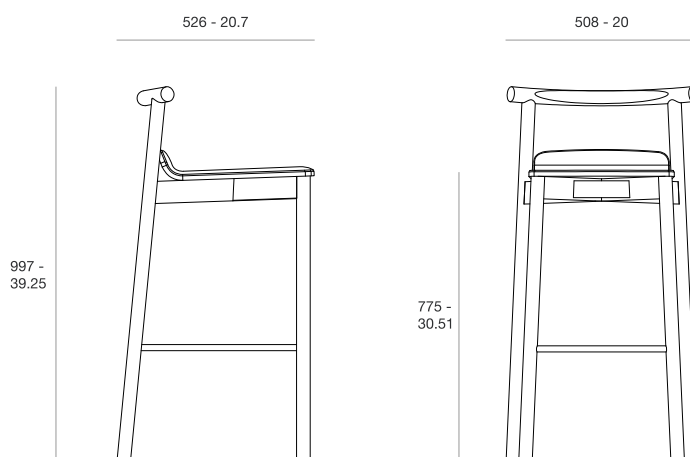
Bar stool made from solid ashwood with plywood seating.



### Wox bar sizes, mm - in



### Wox bar S



Name	Wox bar	Wox bar S
Designer	Pavel Vetrov	Pavel Vetrov
Type of product	bar stool	bar stool
Weight netto, kg	6.8	6.8
Type of package	box	box
Box dimentions, mm - in	520x600x1000 - 20,5x23,6x39,4	520x600x1000 - 20,5x23,6x39,4
Pcs in the box	2	2
Stackable	no	no
Volume, m <sup>3</sup> - in <sup>3</sup>	0,35 - 21358,2	0,35 - 21358,1
Fabric consumption, lm - lin	-	0,6 - 23,62

Materials	
Backrest	wood
Seat	plywood; plywood, upholstery
Frame	wood
Wood	ash
Finishes	(-) finishes
Fabric	(-) fabrics

### Company certifications

PN-EN ISO 14001:2015-10  
PN-EN ISO 9001:2015-10

