

LeTube bar / Letube bar 2

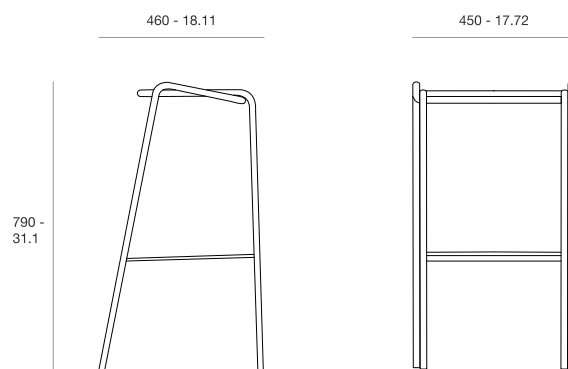
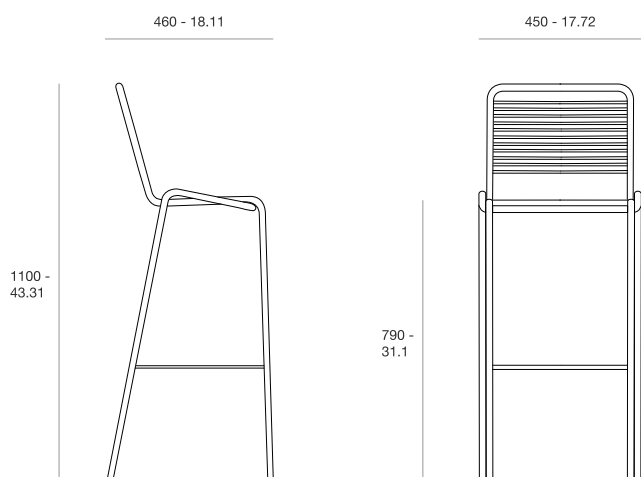
Metal bar stool made of steel pipe and rod.



LeTube bar

sizes, mm - in

LeTube bar 2



Name	LeTube bar	LeTube bar 2
Designer	Figurion	Figurion
Type of product	bar stool	bar stool
Weight netto, kg	8	8
Type of package	box	box
Box dimentions, mm - in	520x600x1110 - 20,5x23,6x43,7	520x600x1110 - 20,5x23,6x43,7
Pcs in the box	1	1
Stackable	no	no
Volume, m ³ - in ³	0,35 - 21358,2	0,35 - 21358,1

Materials	
Backrest	metal
Seat	metal
Frame	metal
Finishes	C-> finishes

Company certifications

PN-EN ISO 14001:2015-10
PN-EN ISO 9001:2015-10

