

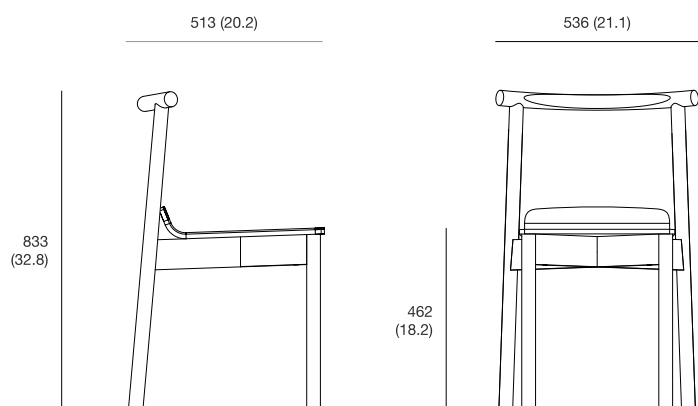
Wox / Wox S

Dining chair made from solid ashwood with plywood seating

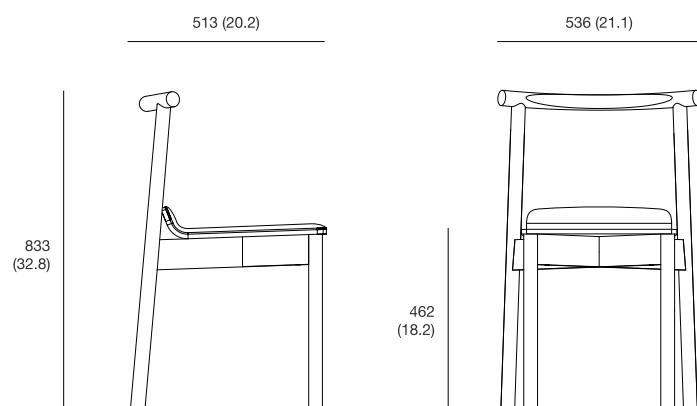


Wox

sizes, mm (in)



Wox S



Name	Wox	Wox S
Designer	Pavel Vetrov	Pavel Vetrov
Type of product	chair	chair
Weight netto, kg (lbs)	5.9 (13)	5.9 (13)
Type of package	box	box
Pcs in the box	2	2
Stackable	4 pcs	4 pcs
Volume, m ³ (ft ³)	0.33 (13)	0.33 (13)
Fabric consumption, lm (lin)	-	0.6 (23.6)

Materials	Wox	Wox S
Backrest	ashwood	ashwood
Seat	ashwood	plywood foam, upholstery
Frame	ashwood	ashwood
Wood	ash	ash
Finishes	↔ finishes	↔ finishes
Fabric	-	↔ fabrics

Company certifications

PN-EN ISO 14001:2015-10
PN-EN ISO 9001:2015-10

