

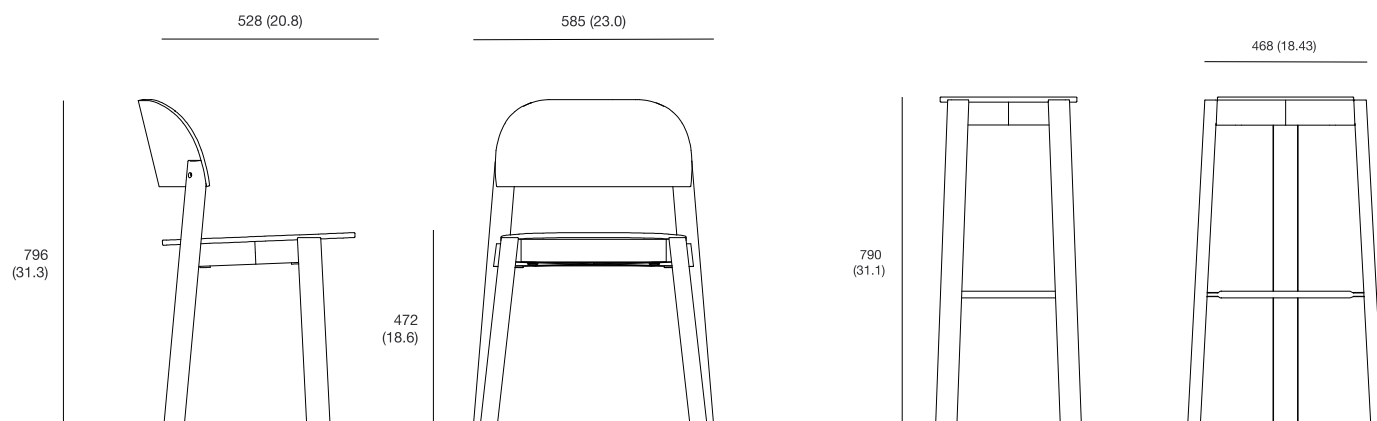
## Eddie / Eddie bar

Wooden chair / wooden barstool



### Eddie

sizes, mm (in)



Name	Eddie	Eddie bar
Designer	Moritz Putzier	Moritz Putzier
Type of product	chair	stool
Weight netto, kg (lbs)	6 (13)	6.4 (14)
Type of package	box	box
Pcs in the box	2	1
Stackable	yes	no
Volume, m <sup>3</sup> (ft <sup>3</sup> )	0.4 (15.75)	0.33 (12.99)

Materials	Eddie	Eddie bar
Backrest	plywood	-
Seat	plywood	plywood
Frame	beechwood	beechwood, metal
Wood	beech	beech
Finishes	↔ finishes	↔ finishes

### Company certifications

PN-EN ISO 14001:2015-10  
PN-EN ISO 9001:2015-10

