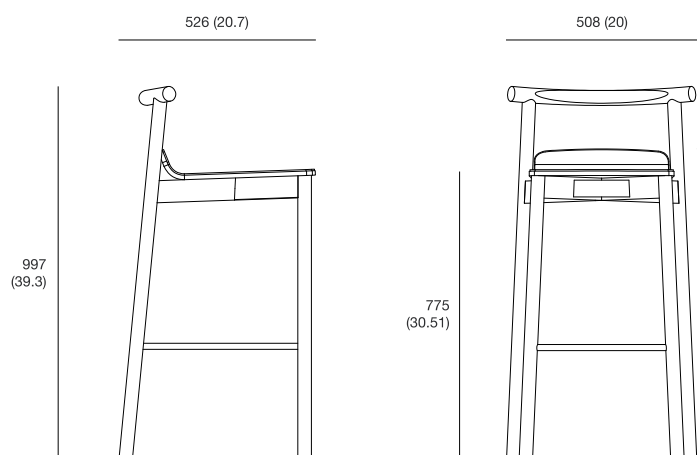


Wox bar / Wox bar S

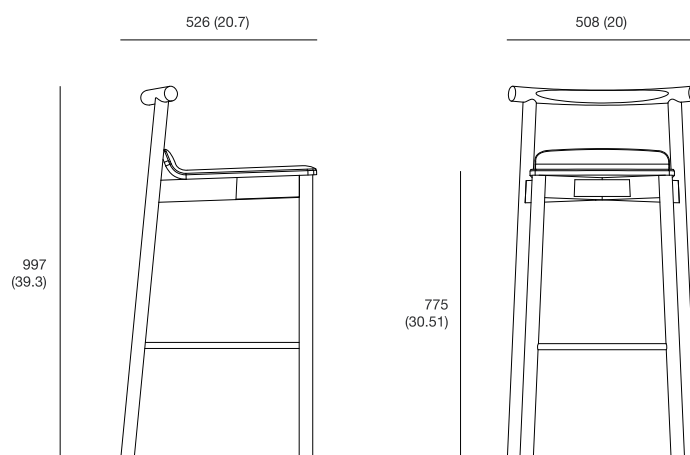
Bar stool made from solid ashwood with plywood seating



Wox bar sizes, mm (in)



Wox bar S



Name	Wox bar	Wox bar S
Designer	Pavel Vetrov	Pavel Vetrov
Type of product	bar stool	bar stool
Weight netto, kg (lbs)	6.8	6.8
Type of package	box	box
Pcs in the box	2	2
Stackable	no	no
Volume, m ³ (ft ³)	0.35 (13.78)	0.35 (13.78)
Fabric consumption, lm (lin)		0,6 (23.62)

Materials	Wox 2	Wox 2S
Backrest	ashwood	ashwood
Seat	ashwood	plywood foam, upholstery
Frame	ashwood	ashwood
Wood	ash	ash
Finishes	⇔ finishes	⇔ finishes
Fabric	-	⇔ fabrics

Company certifications

PN-EN ISO 14001:2015-10
PN-EN ISO 9001:2015-10

