

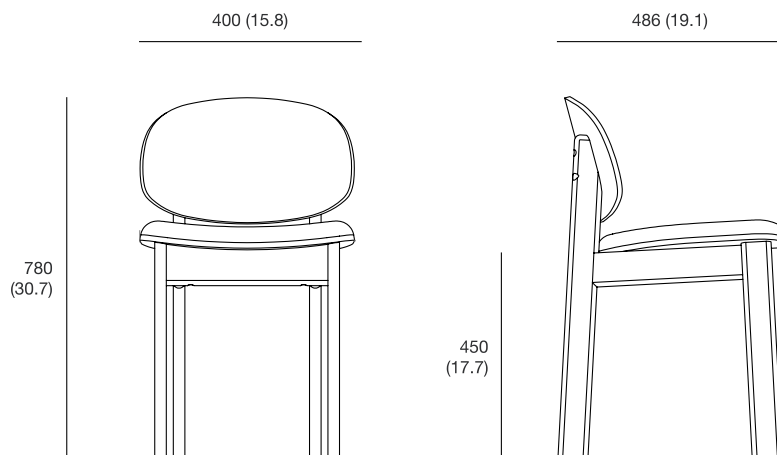
Kanji

Dinning wooden chair



Kanji

sizes, mm (in)



Name	Jara
Designer	Pablo Regano
Type of product	chair
Weight netto, kg (lbs)	7.6 (17)
Type of package	box
Pcs in the box	2
Stackable	no
Volume, m³ (ft³)	0.5 (15.75)

Materials	
Backrest	plywood
Seat	plywood
Frame	ashwood
Wood	ashwood
Finishes	↔ finishes
Foam	FR fabric CMRH foam by request

Company certifications

PN-EN ISO 14001:2015-10
PN-EN ISO 9001:2015-10

