

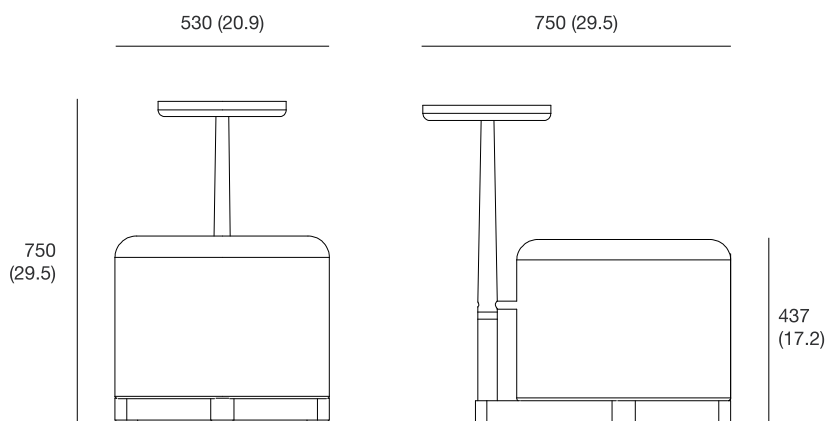
The Family T

Pouf with wooden frame



The Family T

sizes, mm (in)



Name	The Family T
Designer	Sami Kallio
Type of product	pouf
Weight netto, kg (lbs)	13.9 (31)
Type of package	box
Pcs in the box	1
Stackable	no
Volume, m³ (ft³)	0.35 (13.78)
Fabric consumption, lm (lin)	1.7 (66.93)

Materials	
Backrest	-
Seat	foam, upholstery
Frame	wood
Finishes	↔ finishes
Fabric	↔ fabrics
Foam	FR fabric CMRH foam by request

Company certifications

PN-EN ISO 14001:2015-10
PN-EN ISO 9001:2015-10

