

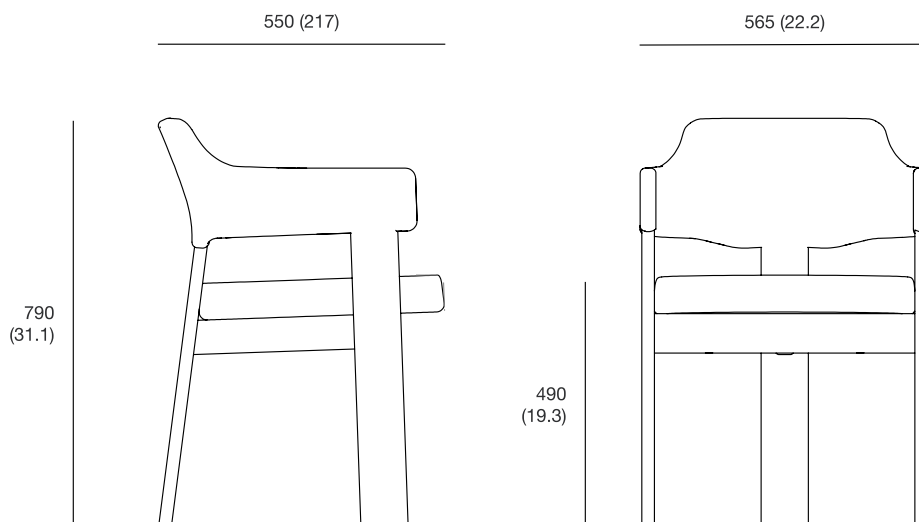
Lymmy

Upholstered wooden chair



Lymmy

sizes, mm (in)



Name	Lymmy
Designer	Levantin studio
Type of product	chair
Weight netto, kg (lbs)	11.2 (25)
Type of package	box
Pcs in the box	1
Stackable	no
Volume, m³ (ft³)	0.3 (11.81)
Fabric consumption, lm (lin)	1.3 (51.18)

Materials	
Backrest	plywood, foam, upholstery
Seat	foam, upholstery
Frame	ashwood
Finishes	⇒ finishes
Fabric	⇒ fabrics
Foam	FR fabric CMRH foam by request

Company certifications

PN-EN ISO 14001:2015-10
PN-EN ISO 9001:2015-10

