

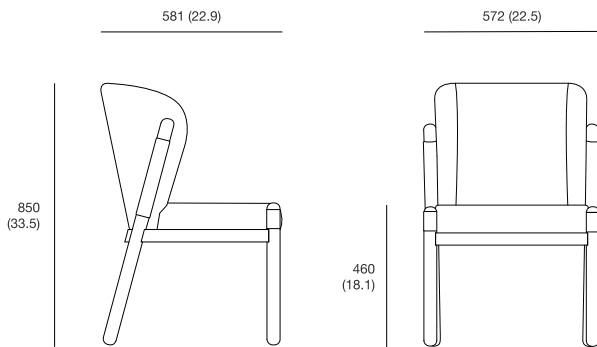
Katana / Katana lounge

Upholstered chair / lounge armchair

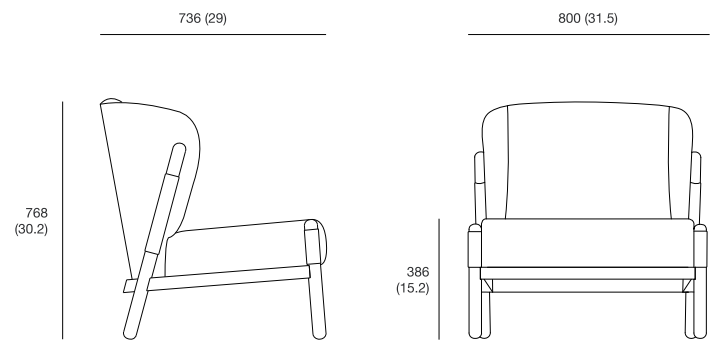


Katana

sizes, mm (in)



Katana lounge



Name	Katana	Katana lounge
Designer	Pavel Vetrov	Pavel Vetrov
Type of product	chair	lounge armchair
Weight netto, kg (lbs)	11.1 (24)	17.6 (39)
Type of package	box	box
Pcs in the box	1	1
Stackable	no	no
Volume, m ³ (ft ³)	0.4 (15.75)	0.65 (25.59)
Fabric consumption, lm (lin)	3 (118.1103)	4 (157.48)

Materials	
Backrest	metal, foam, upholstery
Seat	metal, plywood, foam, upholstery
Frame	metal, ashwood
Wood	ashwood
Finishes	↔ finishes
Fabric	↔ fabrics
Foam	FR fabric CMRH foam by request

Company certifications

PN-EN ISO 14001:2015-10
PN-EN ISO 9001:2015-10

