

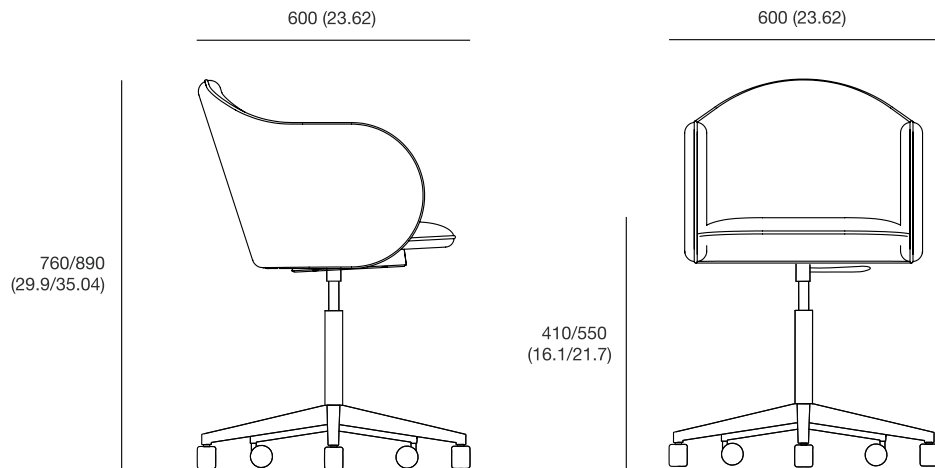
## Love office

Upholstered office chair



## Love office

sizes, mm (in)



Name	Love Office
Designer	Pablo Regano
Type of product	chair
Weight netto, kg (lbs)	11 (24)
Type of package	box
Pcs in the box	1
Stackable	no
Volume, m <sup>3</sup> (ft <sup>3</sup> )	0.32 (12.6)
Fabric consumption, lm (lin)	2.5 (98.42)

Materials	
Backrest	plywood, foam, upholstery
Seat	plywood, foam, upholstery
Frame	plywood, plastic, metal
Finishes	<a href="#">⇨ finishes</a>
Fabric	<a href="#">⇨ fabrics</a>
Foam	FR fabric CMRH foam by request

## Company certifications

PN-EN ISO 14001:2015-10  
PN-EN ISO 9001:2015-10

